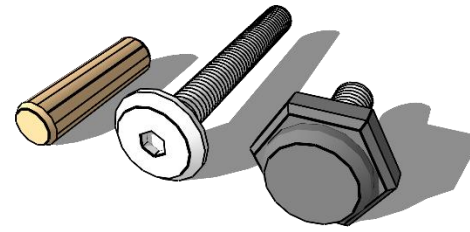




TO ASSEMBLE THIS,
YOU'LL NEED THE
FOLLOWING TOOLS:

4MM ALLEN KEY

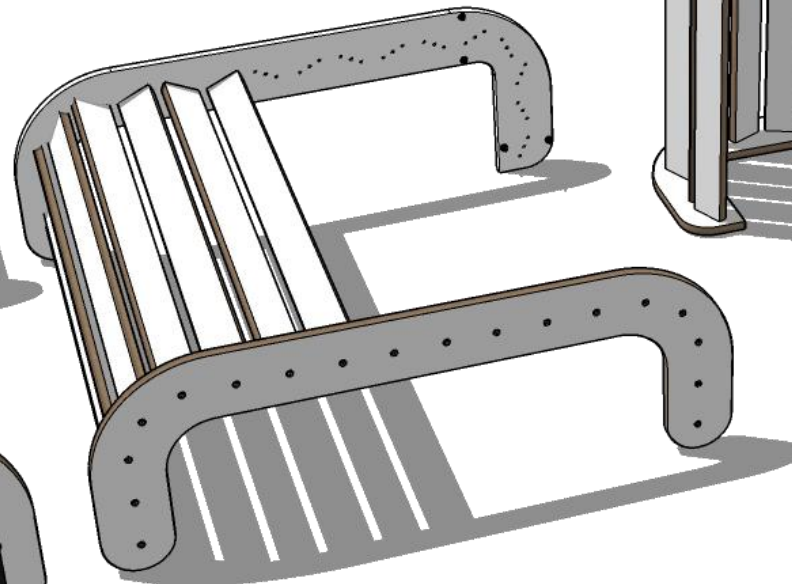
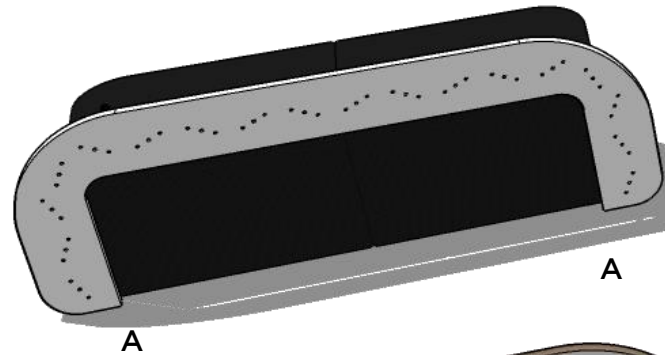
(THERE'LL BE ONE IN YOUR
TOOL BOX)



A 72 x dowels
B 36 x 40mm M6 bolts
C 10 x adjustable feet

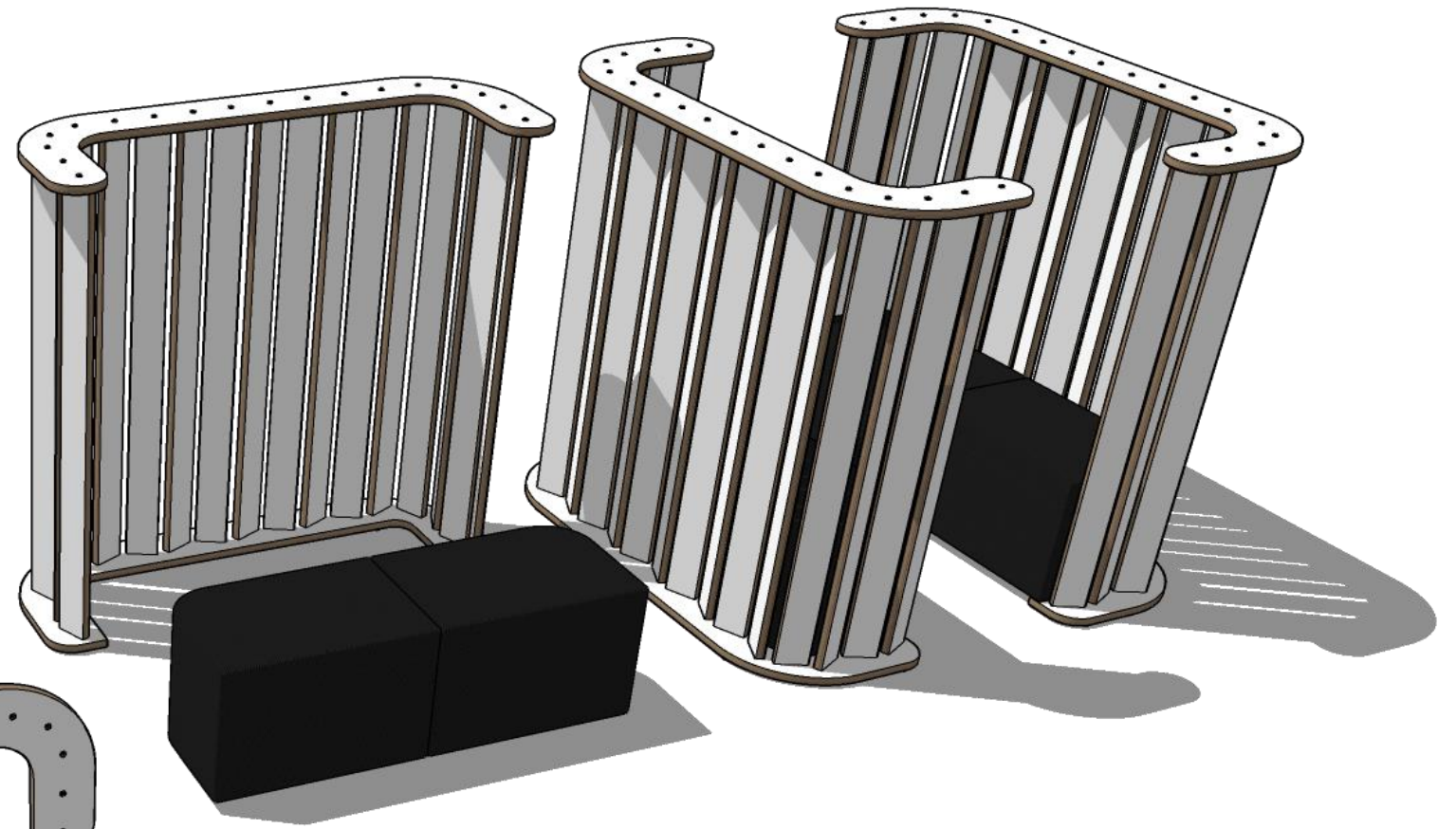
1

Use the two upholstered seats to prop up the two
'boomerang' panels. Note, they're slightly different
- the base panel has square inside corners
(see letter A below)



2

One by one, fit the fins as per the instructions on
the other side of this page. It can be a little fiddly
so we'd suggest you follow them to the letter!



3

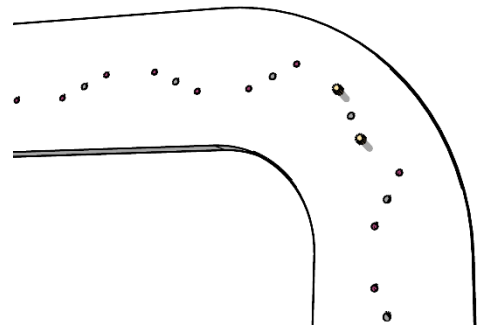
Fit the adjustable feet to the
bottom boomerang panel and
then stand it upright

4

Repeat the operation for the second
screen and assemble opposite each other
(or any way that takes your fancy)

ASSEMBLY INSTRUCTIONS

RETREAT SOFA|POD



There are two different types of holes on the 'boomerang' panels - blind holes (that do not go all the way through) and through holes (that do).

The blind holes are for the dowels (see above) and there are two, each boomerang panel, per fin.

The through holes are for the bolts and there is just one, in the middle of the blind holes.

First, put all the dowels in the blind holes.

Next, take a fin, and align it with the dowels (but don't push them into the holes on the fin). Then take a bolt, and thread it through the middle (through) hole and screw it into the threaded insert, just until it catches.

By only threading it until it catches, you'll still be able to get the next fin in. Repeat with all the fins and once everything is aligned, tighten the bolts one-by-one.

